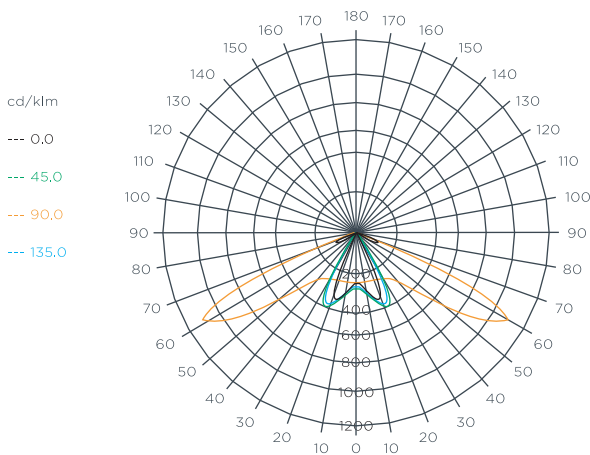
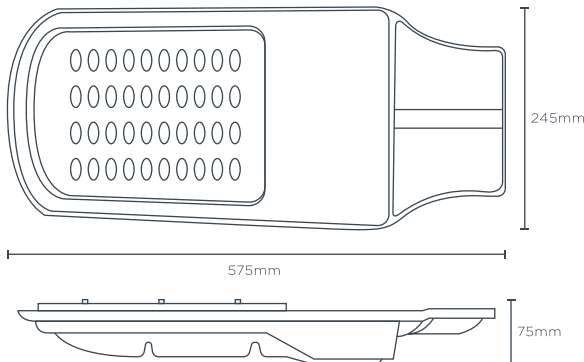


# LED Street Lights

60W - 12V Tempo Controller Included



| ITEMS                       | PARAMETERS                       |
|-----------------------------|----------------------------------|
| Application                 | Road traffic lighting            |
| Place                       | Road, Square, Park, Bridge ect   |
| Environment                 | Outside                          |
| Standards                   | GB7000.1-2007;GB7000.5-2005      |
| Power                       | 60W ± 5%                         |
| Input Voltage               | 12/24V                           |
| Lumens                      | 3500-3800lm                      |
| Efficiency                  | 88-95lm/W                        |
| Light extracting rate       | ≥ 0.90                           |
| Section temp. control range | ΔT ≤ 40°C                        |
| IP Grade                    | IP 65                            |
| Lifespan                    | ≥ 50,000h                        |
| LED Qty                     | 60PCS                            |
| Brand                       | Bridgelux                        |
| Color temp.                 | 3000-6500K                       |
| CRI                         | Ra≥70                            |
| Lumens(unit)                | 120-130lm                        |
| Theoretical lifetime        | 70% light: ≥ 50,000h             |
| Circuit scheme              | Constant current LED driver      |
| Drive current               | 1980mA± 3%                       |
| Efficiency                  | ≥92%                             |
| Power factor                | ≥0.95                            |
| Body material               | Aluminum alloy                   |
| Surface treatment           | Spray paint                      |
| Light levels                | Once                             |
| Lens material               | PC, light transmittance over 93% |
| Net weight                  | 6.3kg                            |
| Carton box                  | 58.5*25.5*9.5cm                  |
| Gross weight                | 6.6kg                            |
| Installation                | Casing                           |
| Arm size                    | φ60mm                            |