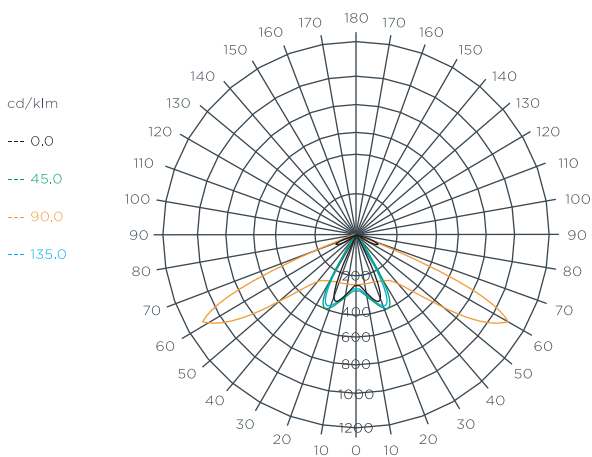
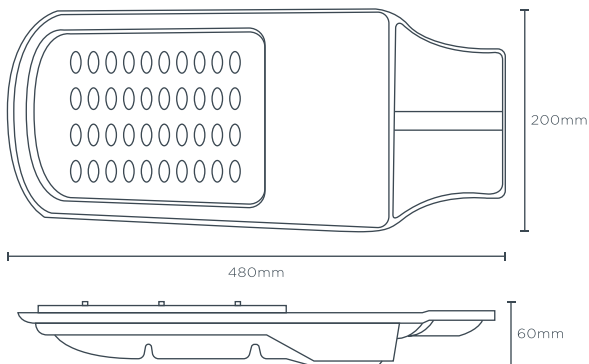


LED Street Lights

40W - 12V Tempo Controller Included



| ITEMS | PARAMETERS |
|-----------------------------|----------------------------------|
| Application | Road traffic lighting |
| Place | Road, Square, Park, Bridge ect |
| Environment | Outside |
| Standards | GB7000.1-2007;GB7000.5-2005 |
| Power | 40W ± 5% |
| Input Voltage | 12/24V |
| Lumens | 3500-3800lm |
| Efficiency | 88-95lm/W |
| Light extracting rate | ≥ 0.90 |
| Section temp. control range | ΔT ≤ 40°C |
| IP Grade | IP 65 |
| Lifespan | ≥ 50,000h |
| LED Qty | 40PCS |
| Brand | Bridgelux |
| Color temp. | 3000-6500K |
| CRI | Ra≥70 |
| Lumens(unit) | 120-130lm |
| Theoretical lifetime | 70% light: ≥ 50,000h |
| Circuit scheme | Constant current LED driver |
| Drive current | 1320mA± 3% |
| Efficiency | ≥92% |
| Power factor | ≥0.95 |
| Body material | Aluminum alloy |
| Surface treatment | Spray paint |
| Light levels | Once |
| Lens material | PC, light transmittance over 93% |
| Net weight | 3.95kg |
| Carton box | 49*21*9.5cm |
| Gross weight | 4.2kg |
| Installation | Casing |
| Arm size | φ40mm |